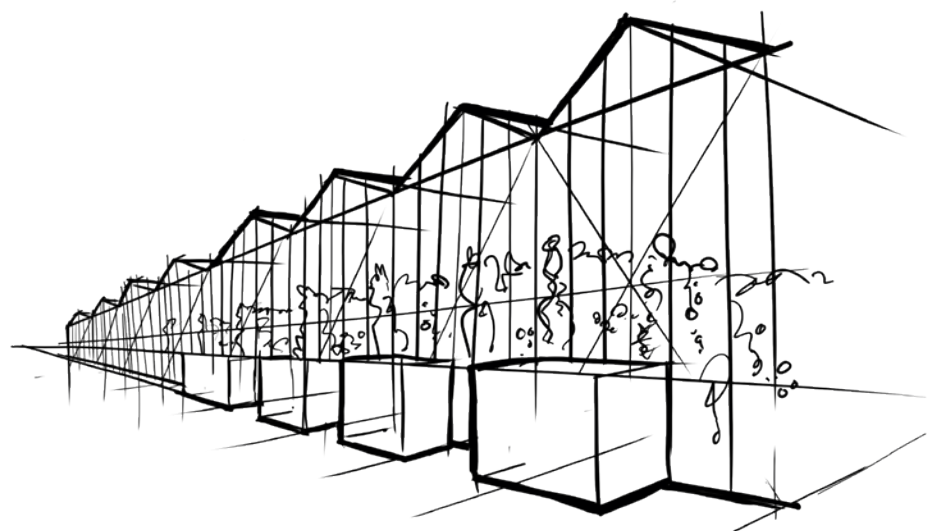


ROCKWOOL® and Grodan® are registered trademarks of the ROCKWOOL Group.

Model number: RAK7289



Only applicable for Europe
For safe use of the product: use this device in accordance with instructions provided, do not open or service the device, disposal in accordance with local ordinances governing electronics. This device contains individual parts that contain substances included in the REACH Candidate List >0.1% (w/w). See link for details:



ROCKWOOL BV / Grodan

Industrieweg 15
6045 JG ROERMOND
Postbus 1160
6040 KD ROERMOND
the Netherlands
T +31 (0)475 35 30 20
F +31 (0)475 35 37 16
info@grodan.com
www.grodan.com

Info about certification



The substrates from Grodan are the only stone wool growing media awarded an EU Ecolabel.



EU Ecolabel: NL/048/001



All our information and advice is compiled with the greatest possible care and in accordance with state of the art technology. However we are unable to assume any liability for the contents. – June 2021

FCC: Section 15.19 a
This device complies with part 15 of the FCC Rules. Operation is subject to the following two conditions: (1) This device may not cause harmful interference, and (2) this device must accept any interference received, including interference that may cause undesired operation.

Gateway set

user manual

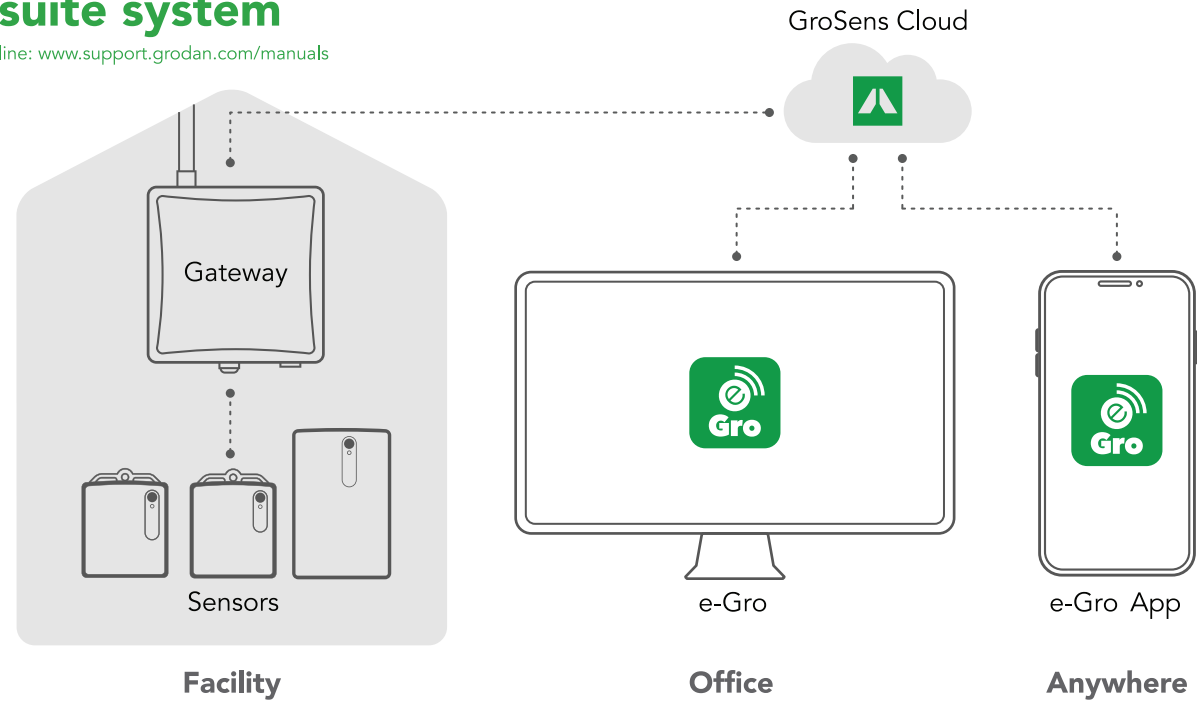
Part of the ROCKWOOL Group



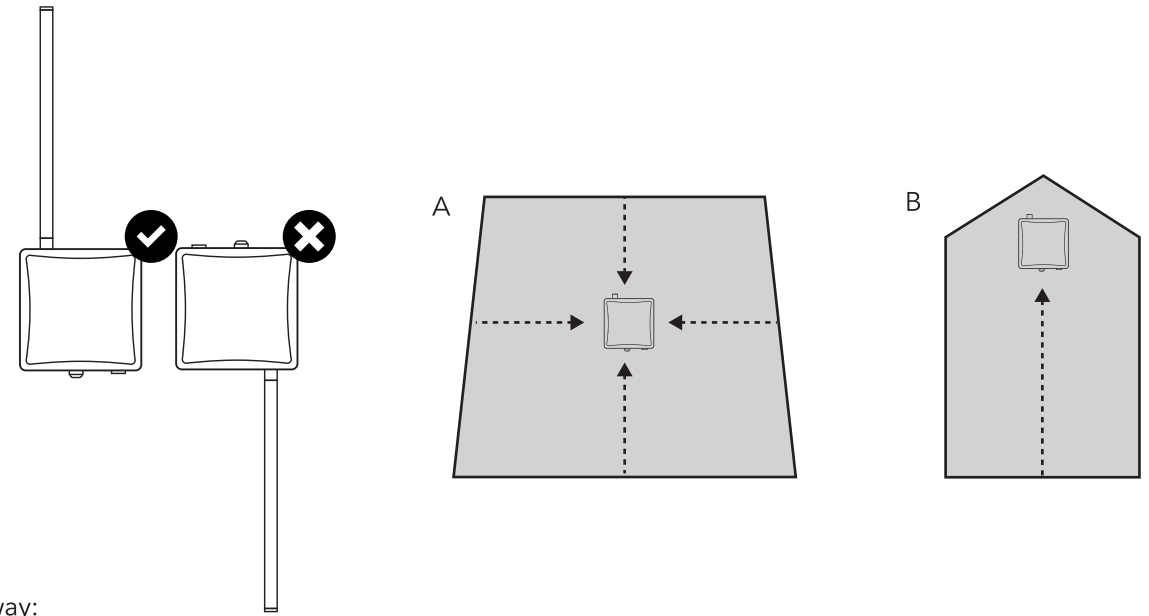
ONLY AVAILABLE FOR
UK, EUROPE, UNITED STATES, CANADA
NEW-ZEALAND, AUSTRALIA, JAPAN, SOUTH KOREA
UNITED ARAB EMIRATES, SAUDI ARABIA

GroSens suite system

Find all your manuals online: www.support.grodan.com/manuals

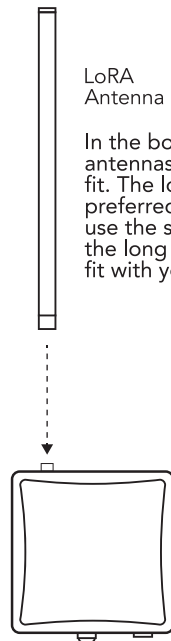


4



Placement gateway:
A: Place in the center of sensors setup
B: Place high in the facility

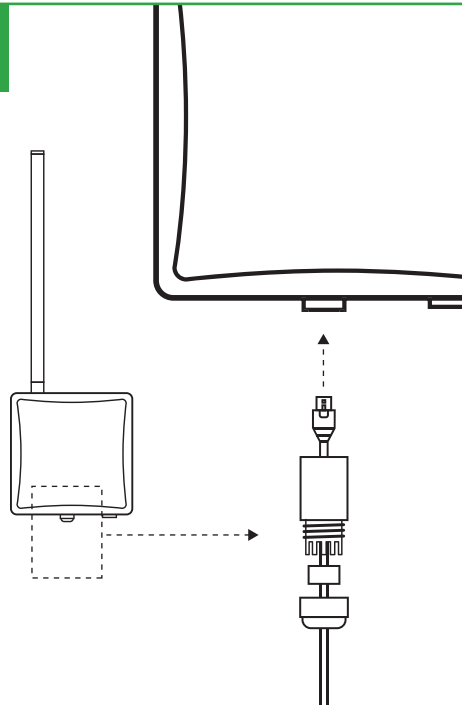
1



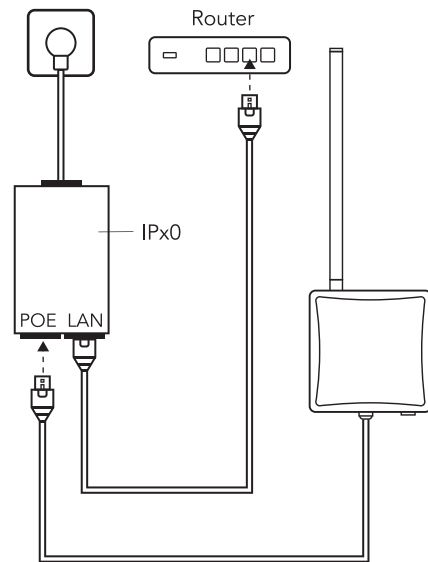
LoRA Antenna

In the box are 2 LoRA antennas. They both fit. The longest one is preferred but you can use the shorter one if the long one does not fit with your screens.

2

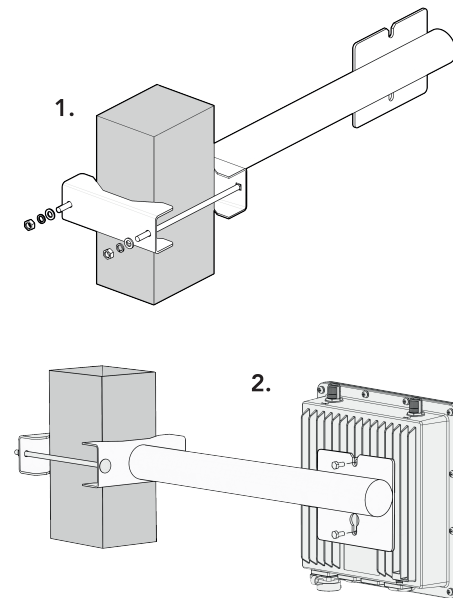


3

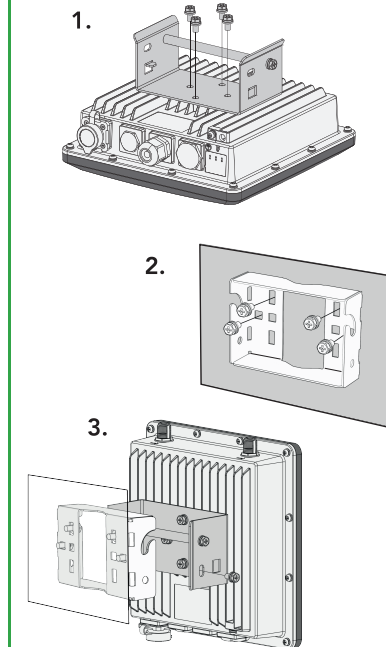


5

Mounting on beam



Mounting on wall



Mounting on pole

